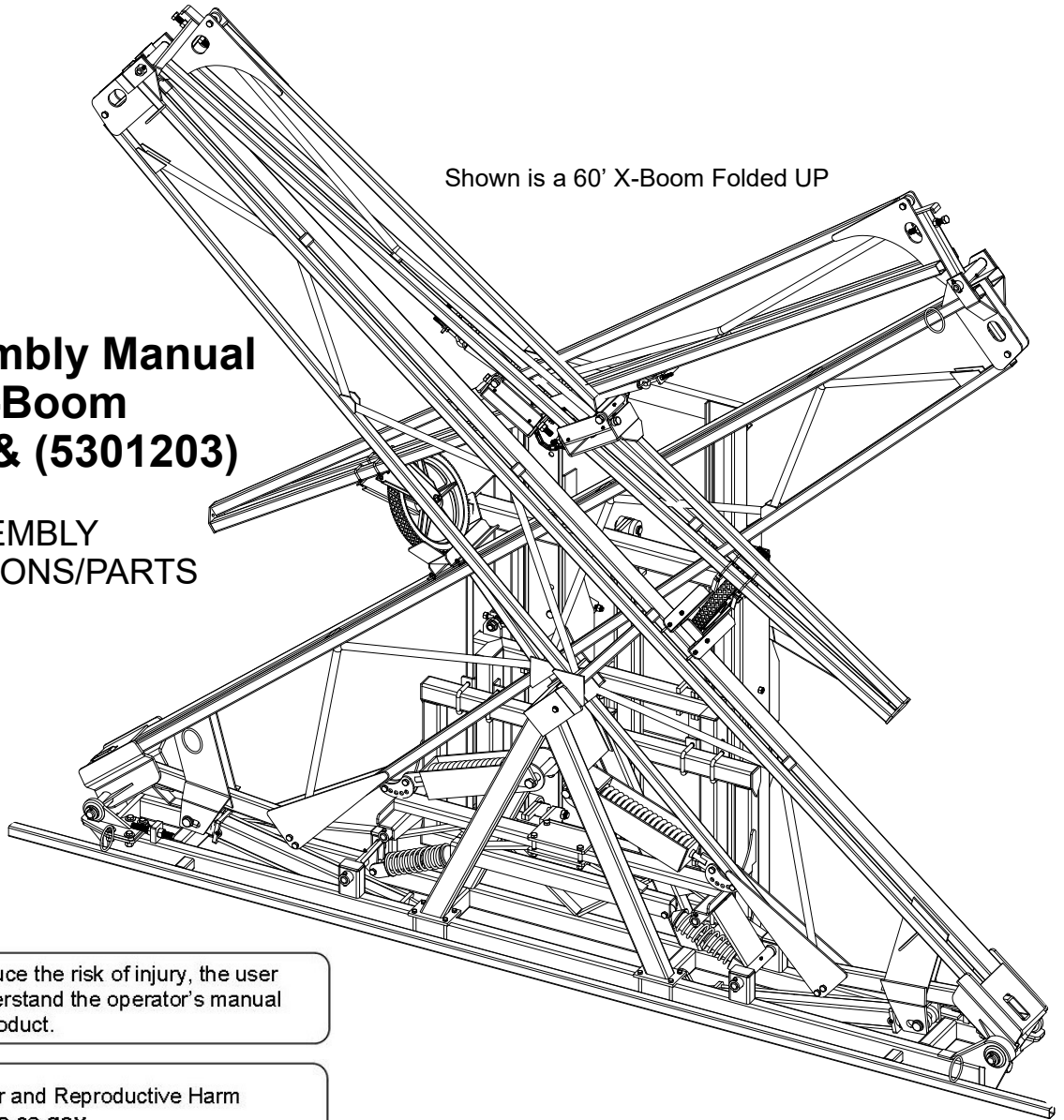


# OWNER'S MANUAL

Shown is a 60' X-Boom Folded UP

## Shop Assembly Manual 60' X-Boom (5301010) & (5301203)

ASSEMBLY  
INSTRUCTIONS/PARTS



**WARNING:** To reduce the risk of injury, the user must read and understand the operator's manual before using this product.



**WARNING:** Cancer and Reproductive Harm  
[www.P65Warnings.ca.gov](http://www.P65Warnings.ca.gov)

**Any Questions, Comments or Problems: Call your nearest AG SPRAY Location and speak with one of our Friendly Technical Support Staff.**



09/17

BAKERSFIELD, CA 877-724-2236	COLUMBUS, NE 800-274-1025	DOTHAN, AL 800-227-4098	FARGO, ND 701-280-2862	HOPKINSVILLE, KY 800-637-7172	VISIT US ONLINE @ <a href="http://WWW.AGSPRAY.COM">WWW.AGSPRAY.COM</a>
MANKATO, MN 507-388-6295	NEWTON, KS 800-394-7662	PASCO, WA 800-634-2026	TEMPE, AZ 877-974-7166		

## 60' X-Boom Configuration Tree

### 5301010

(Attachment to a Trailer)



### 5301203

(Attachment to a 3-Point)



(1) 5300875

Elevator Mounting Frame

(1) 5300875

(1) 5300876

Center Section

(1) 5300876

(1) 5300877

R.H. Inner Boom Assembly

(1) 5300877

(1) 5300878

L.H. Inner Boom Assembly

(1) 5300878

(1) 5301041

R.H. Secondary/Outer Boom Assemblies

(1) 5301041

(1) 5301042

L.H. Secondary/Outer Boom Assemblies

(1) 5301042

(1) 5301534

Elevator Assembly

-----

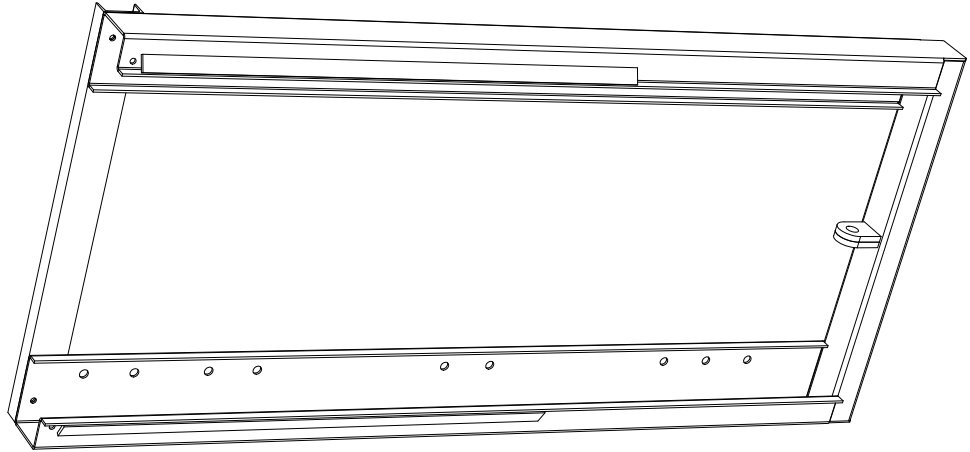
-----

Tip Stand Assembly

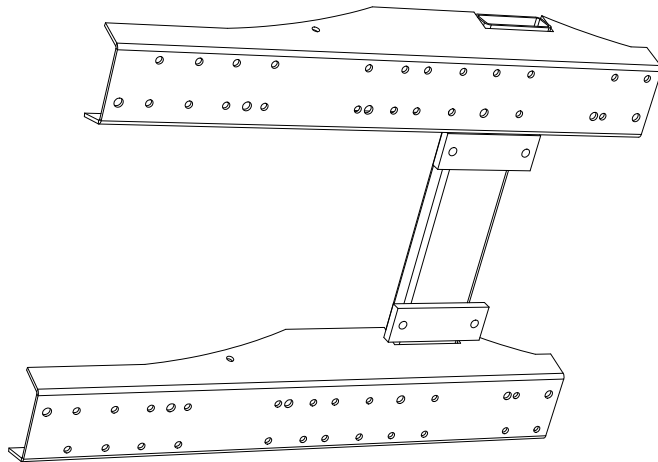
(1) 5301535

60' X-Boom Component Identification

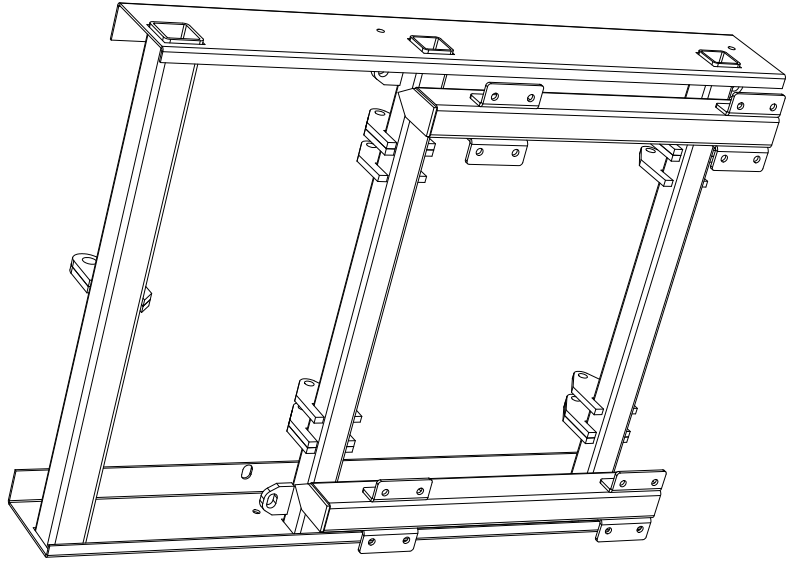
Inner Channel  
#5273771



Upright Tower Mount  
#5274019

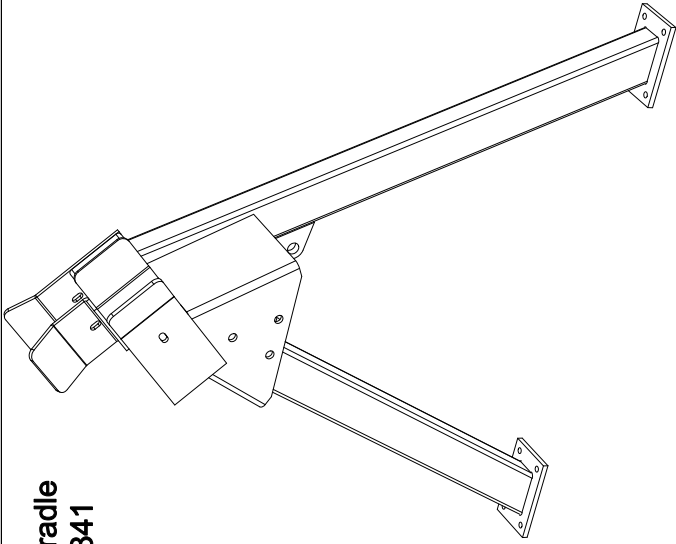


Elevator Front Frame  
#5273776

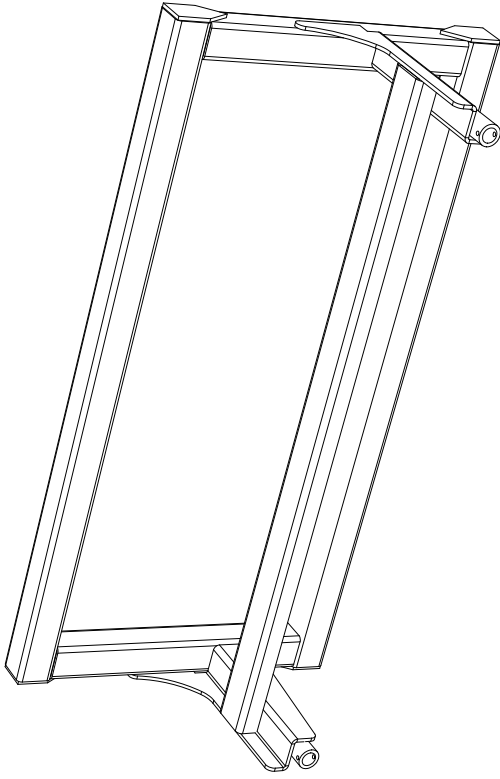


60' X-Boom Component Identification

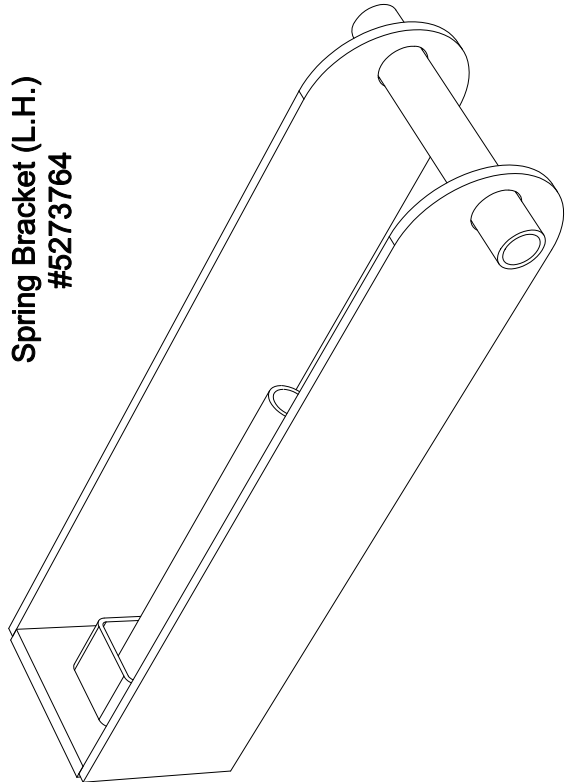
**Boom Cradle  
#5273841**



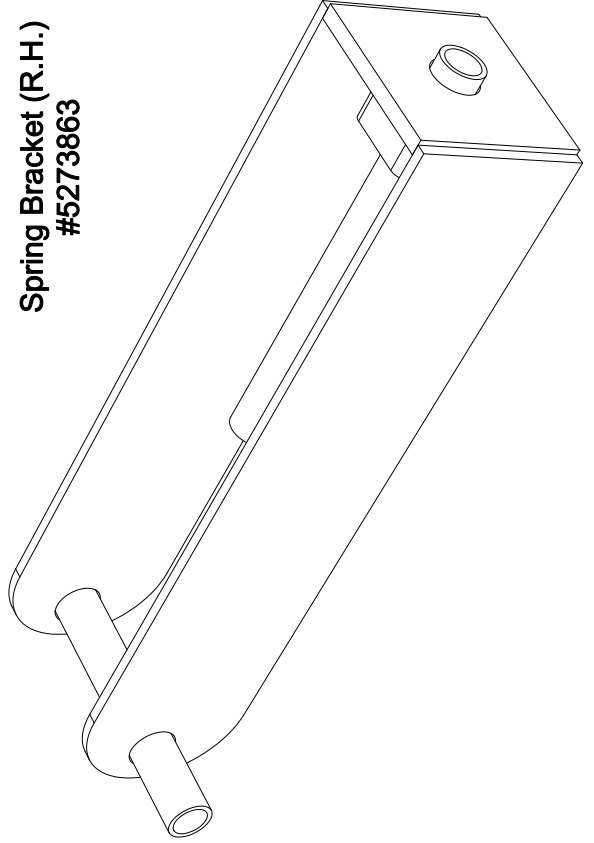
**Elevator Rear Frame  
#5273775**



**Spring Bracket (L.H.)  
#5273764**

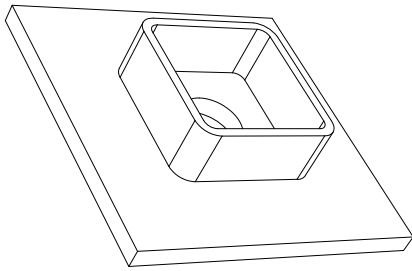


**Spring Bracket (R.H.)  
#5273863**

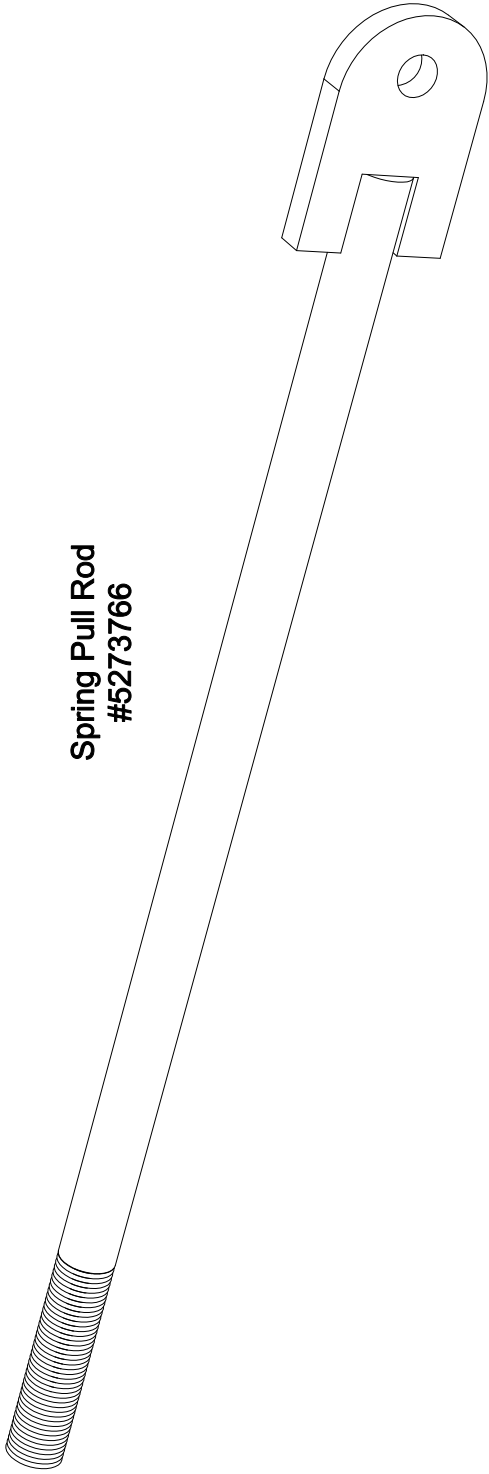


60' X-Boom Component Identification

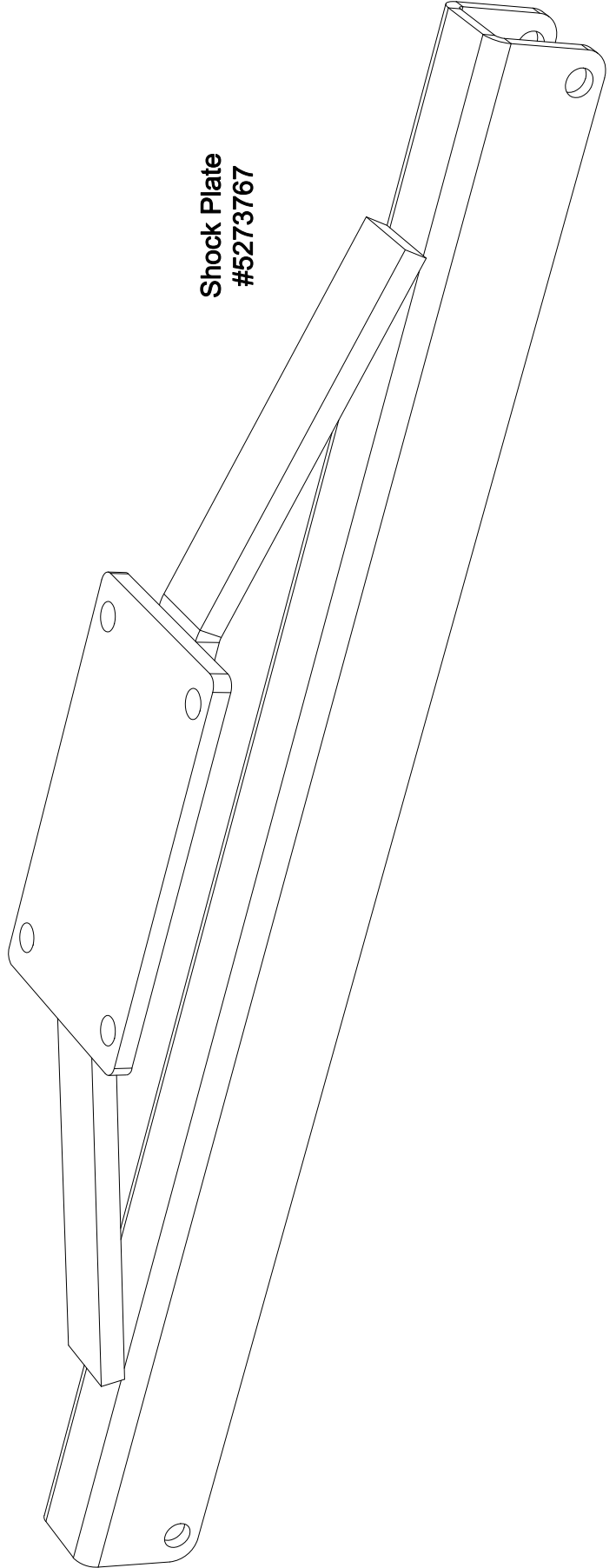
Spring Back Plate  
#5273765



Spring Pull Rod  
#5273766

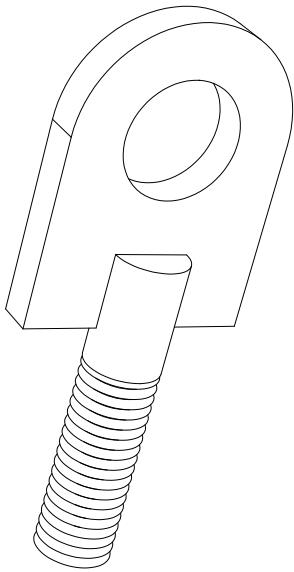


Shock Plate  
#5273767

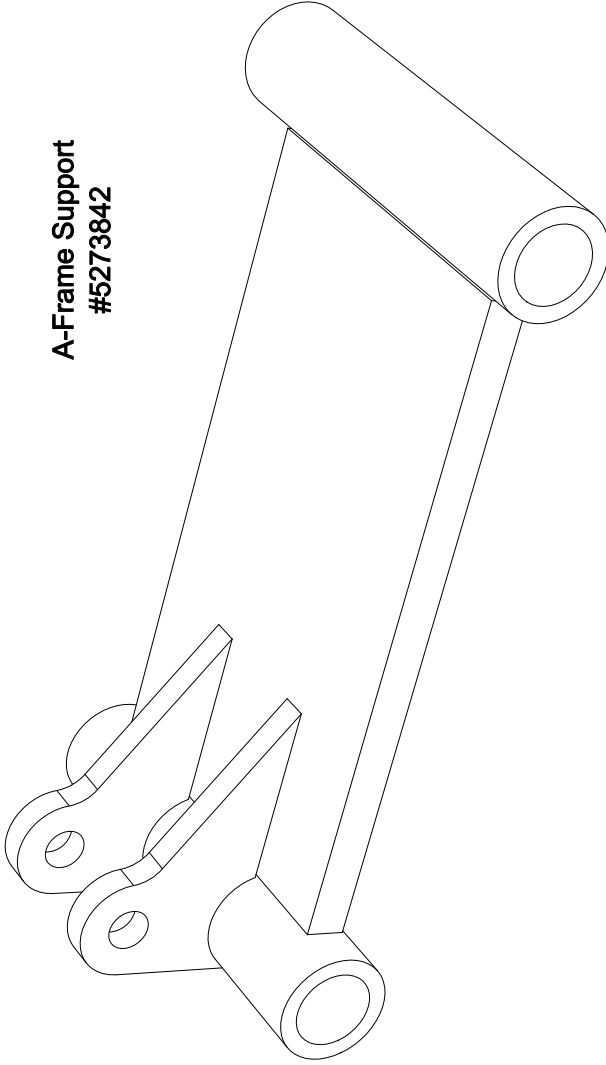


60' X-Boom Component Identification

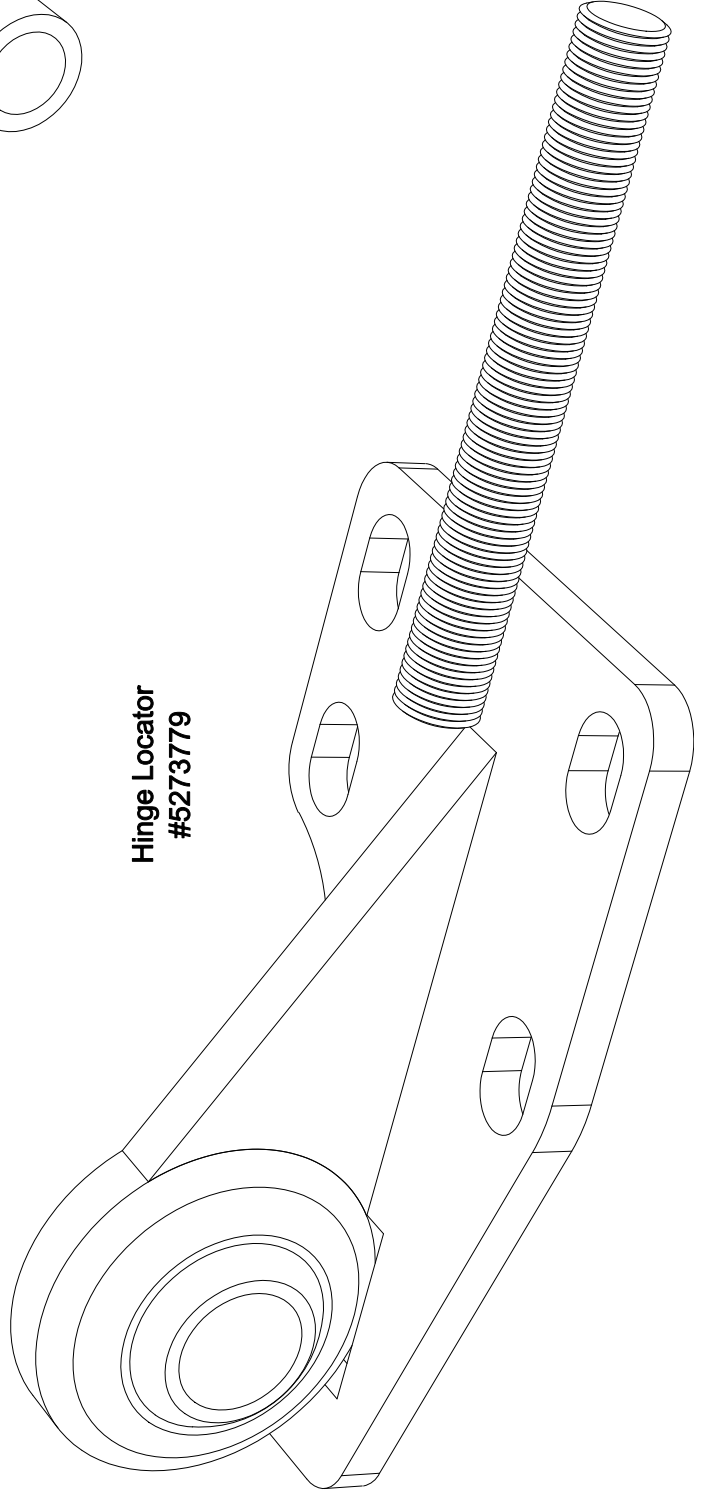
Roller Adjust Bracket  
#5273773



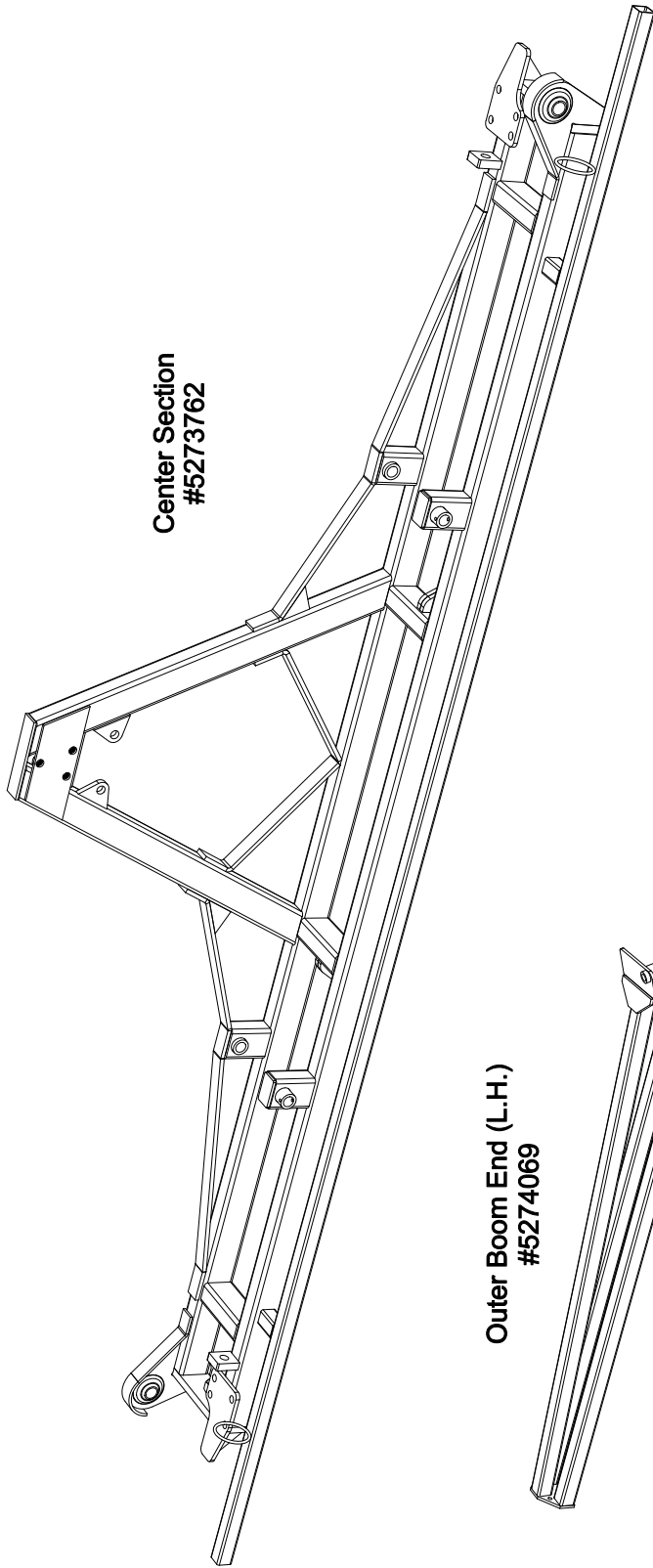
A-Frame Support  
#5273842



Hinge Locator  
#5273779

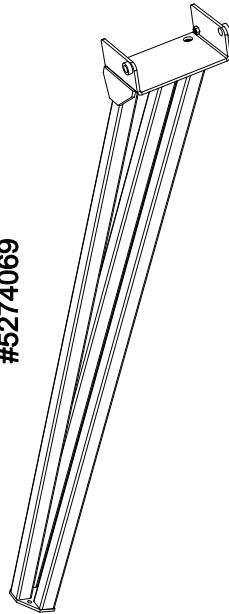


# 60' X-Boom Component Identification

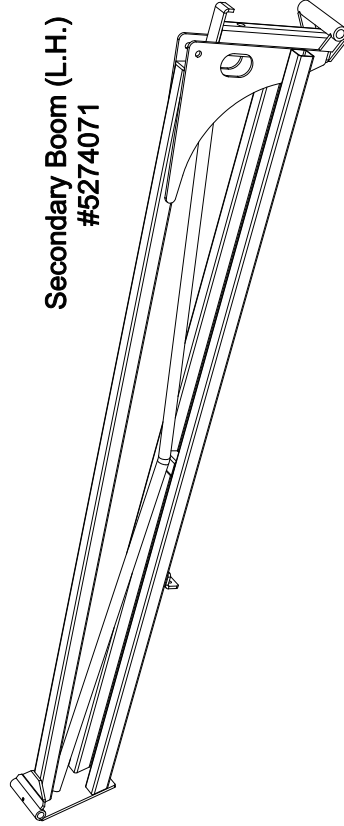


**Center Section  
#5273762**

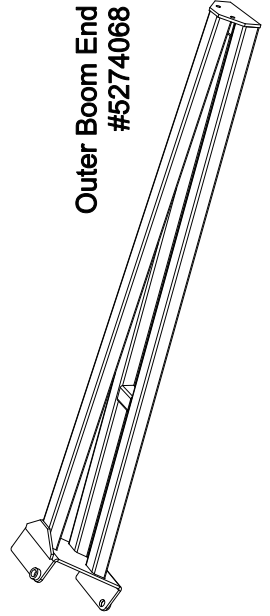
**Outer Boom End (L.H.)  
#5274069**



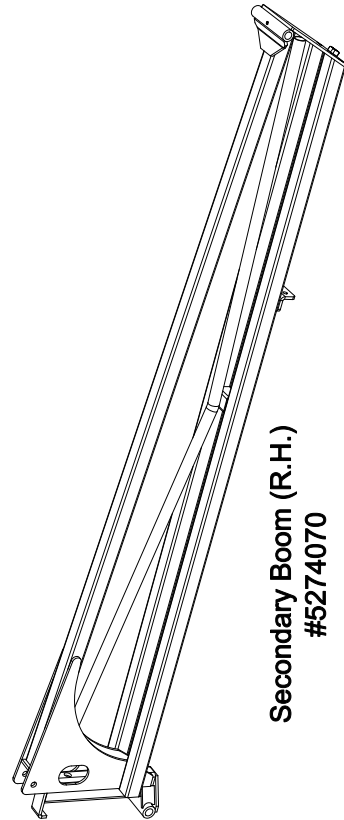
**Secondary Boom (L.H.)  
#5274071**



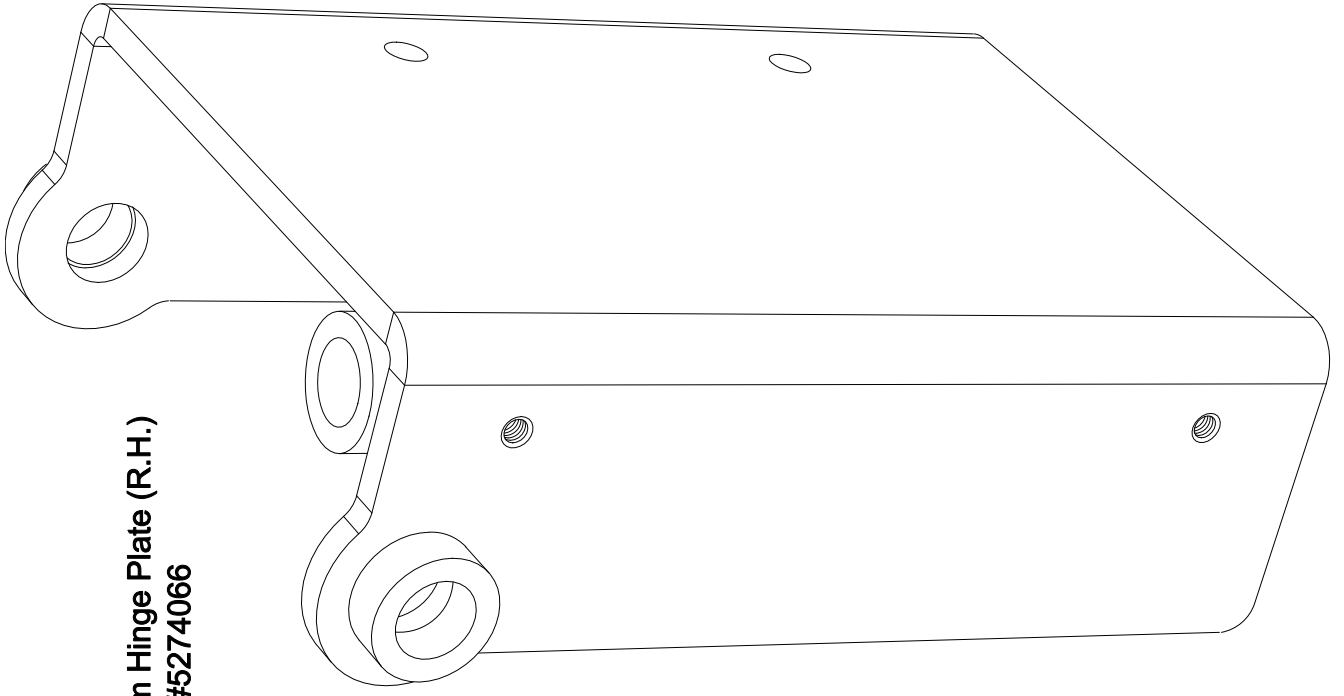
**Outer Boom End (R.H.)  
#5274068**



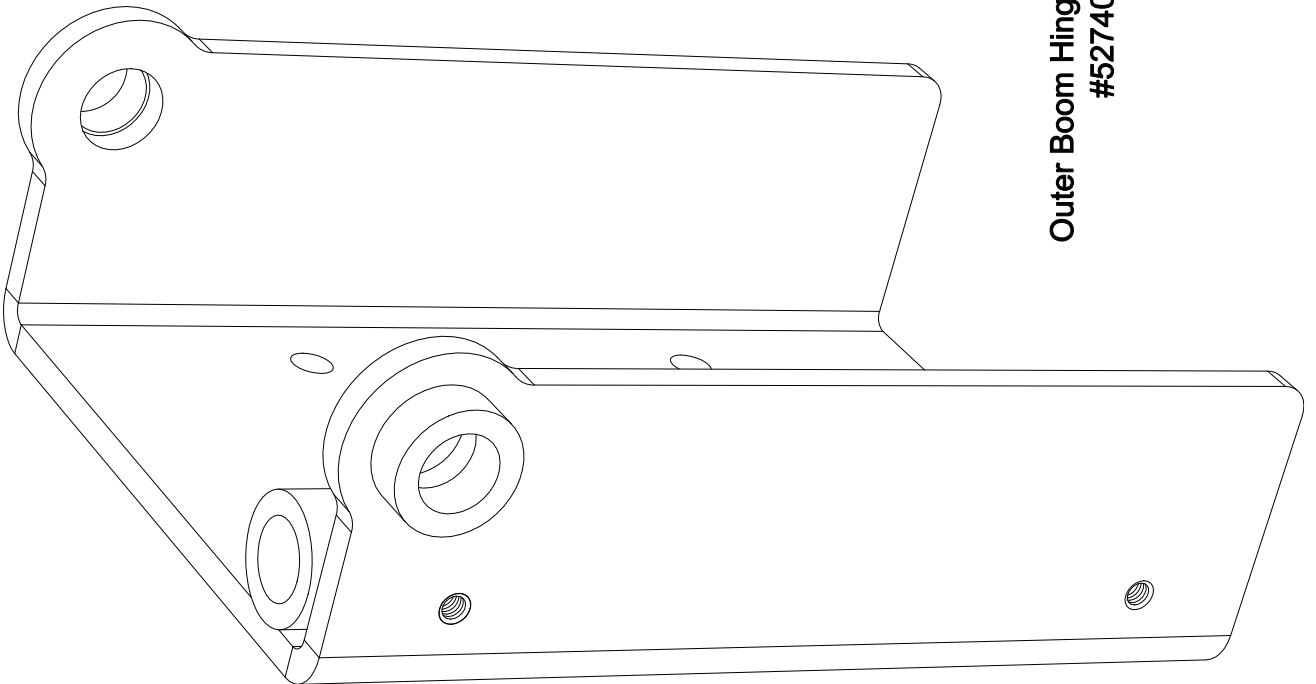
**Secondary Boom (R.H.)  
#5274070**



60' X-Boom Component Identification



**Outer Boom Hinge Plate (R.H.)  
#5274066**

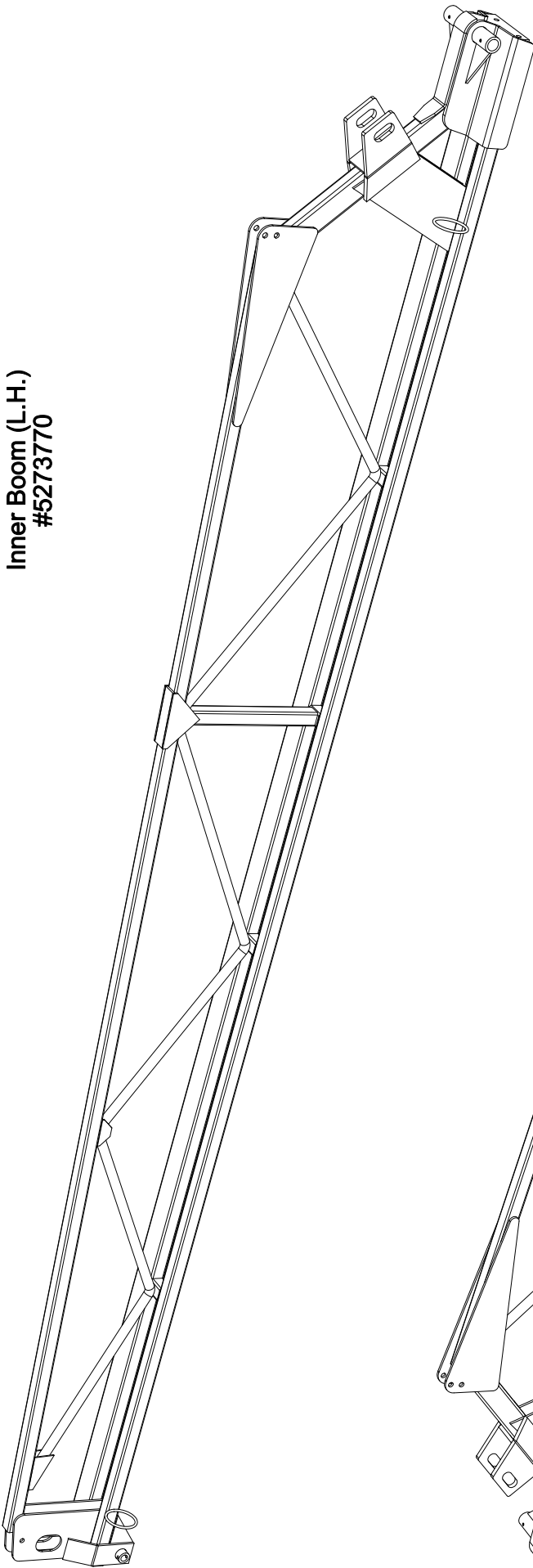


**Outer Boom Hinge Plate (L.H.)  
#5274067**

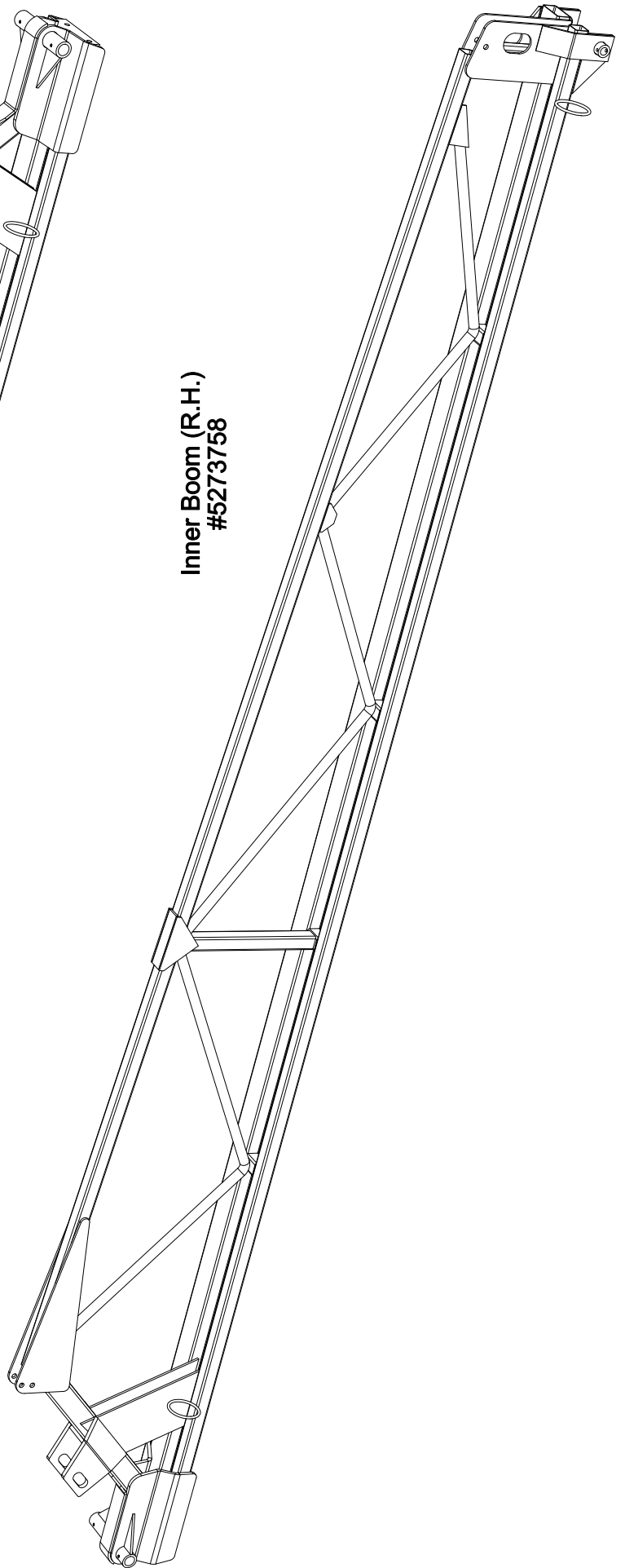


60' X-Boom Component Identification

Inner Boom (L.H.)  
#5273770

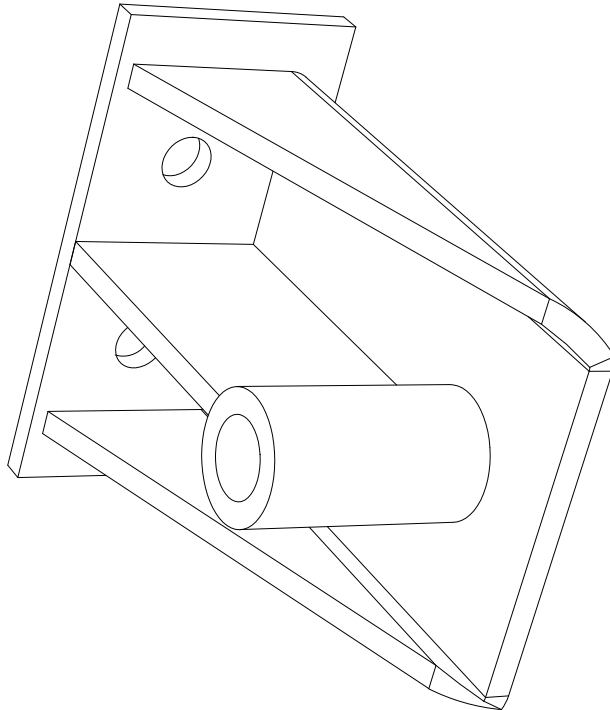


Inner Boom (R.H.)  
#5273758

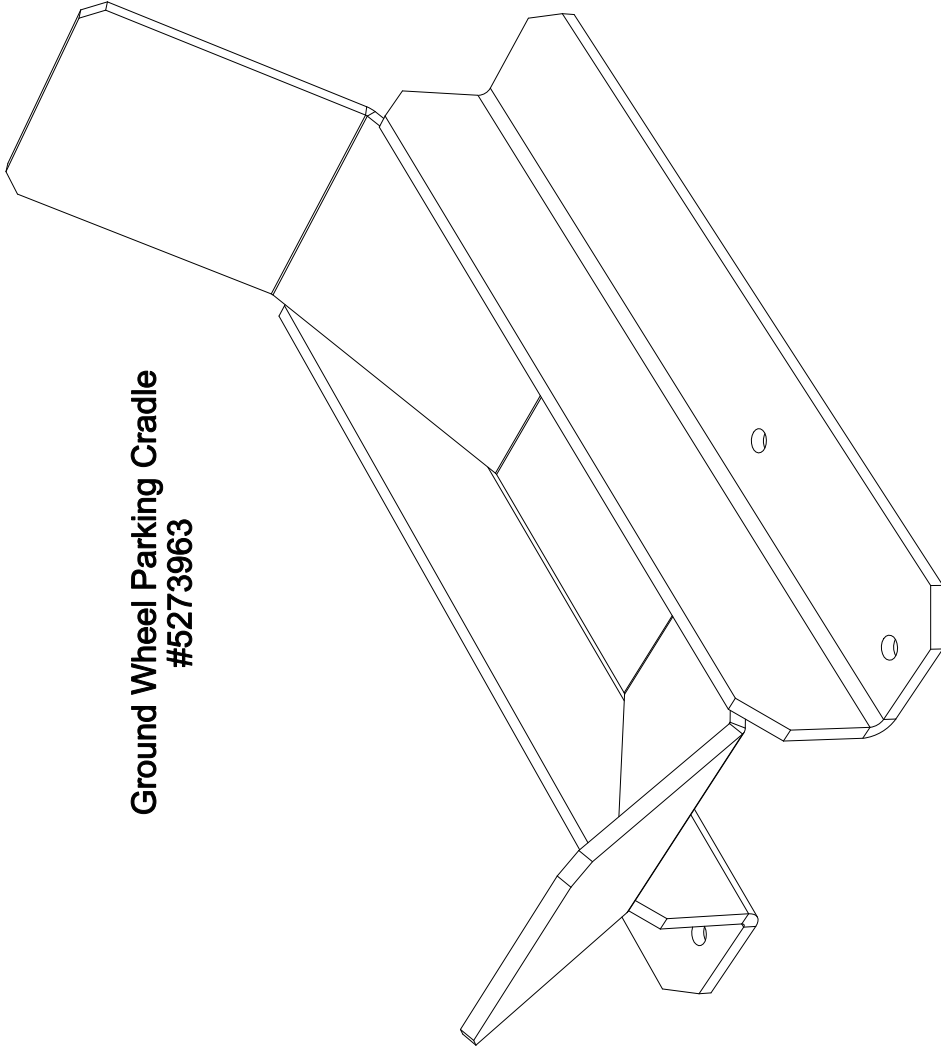


60' X-Boom Component Identification

**Roller Mount  
#5273952**



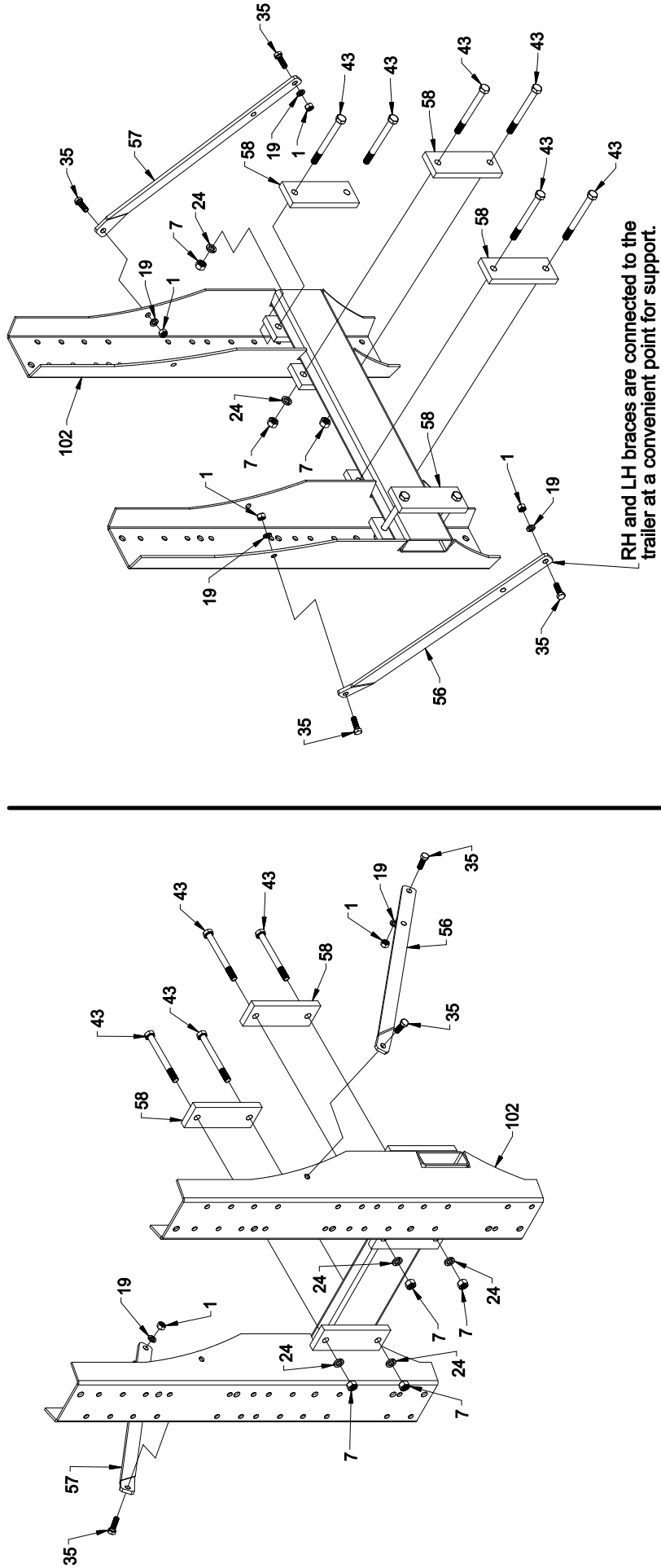
**Ground Wheel Parking Cradle  
#5273963**



# 60' X-Boom Parts Diagram

5300875

## Elevator Mounting Frame

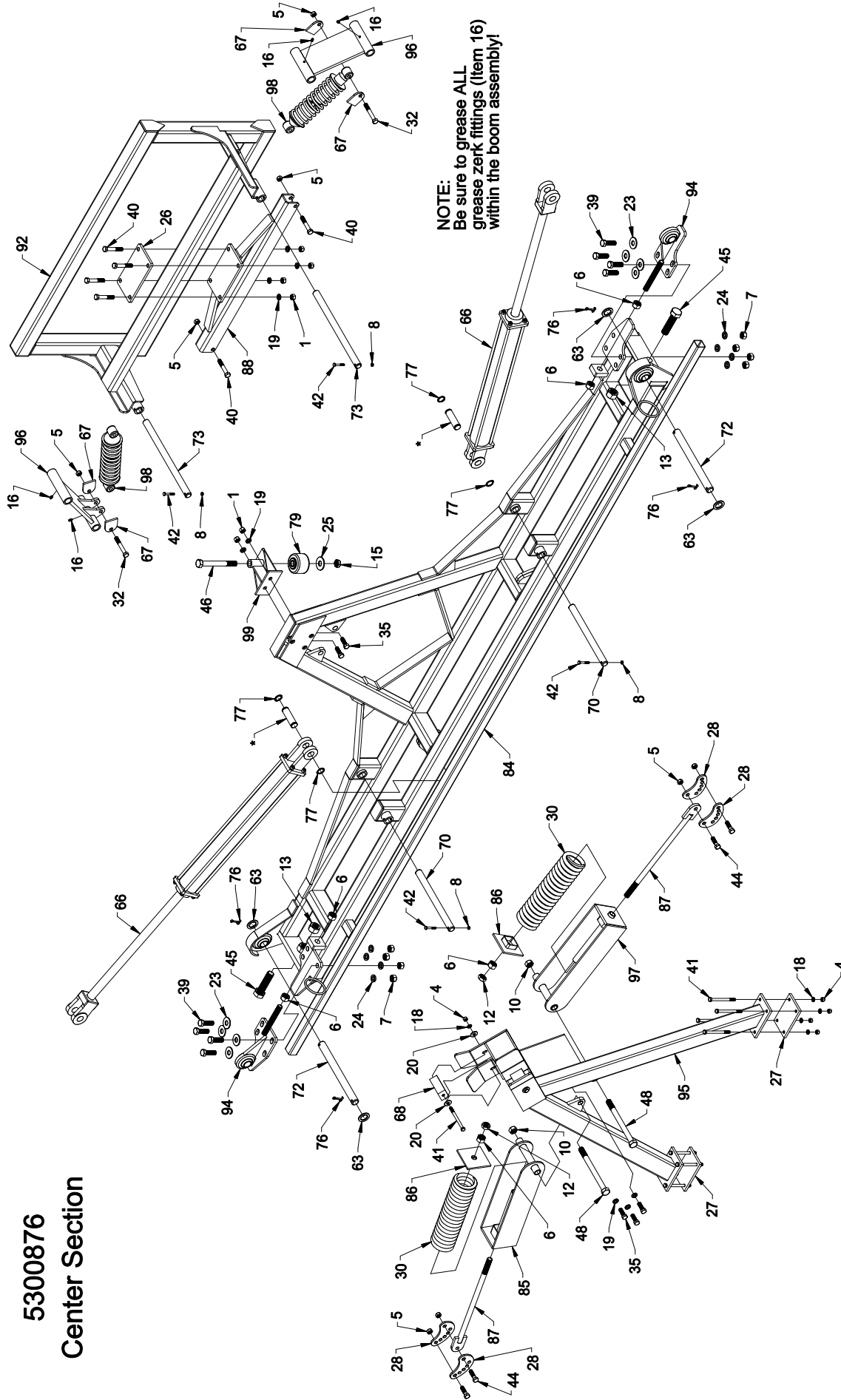


(Alternate View)

# 60' X-Boom Parts Diagram

5300876

Center Section



NOTE:  
Be sure to grease ALL  
grease zerk fittings (Item 16)  
within the boom assembly!

Boom cradle (Item 95) bolts to the A-frame of the center section and to the rear horiz. tube (not the nozzle tube) of the center section, using (2) mounting plates (Item 27), and hardware shown.

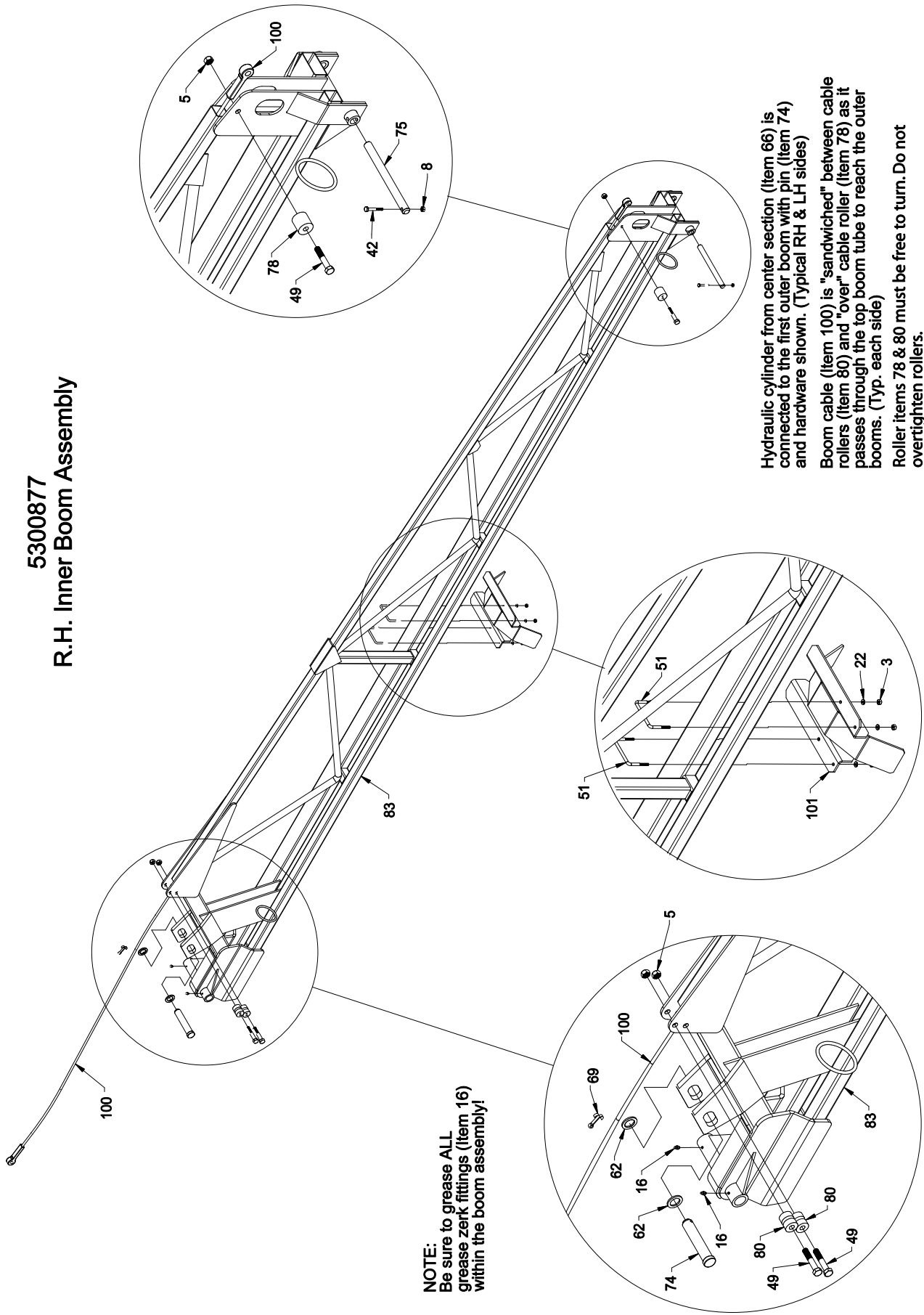
Boom cable assembly (Item 100) (not shown in this view) is bolted between Items 28. (Typ. each side)

NOTE:  
Pins with an asterisk (\*) are considered to come with the cylinder itself, and are NOT a part of the bill of materials.

Item 77 (retaining ring) may not be needed if the cylinders are supplied with these rings (or hairpin cotters).

# 60' X-Boom Parts Diagram

5300877  
R.H. Inner Boom Assembly



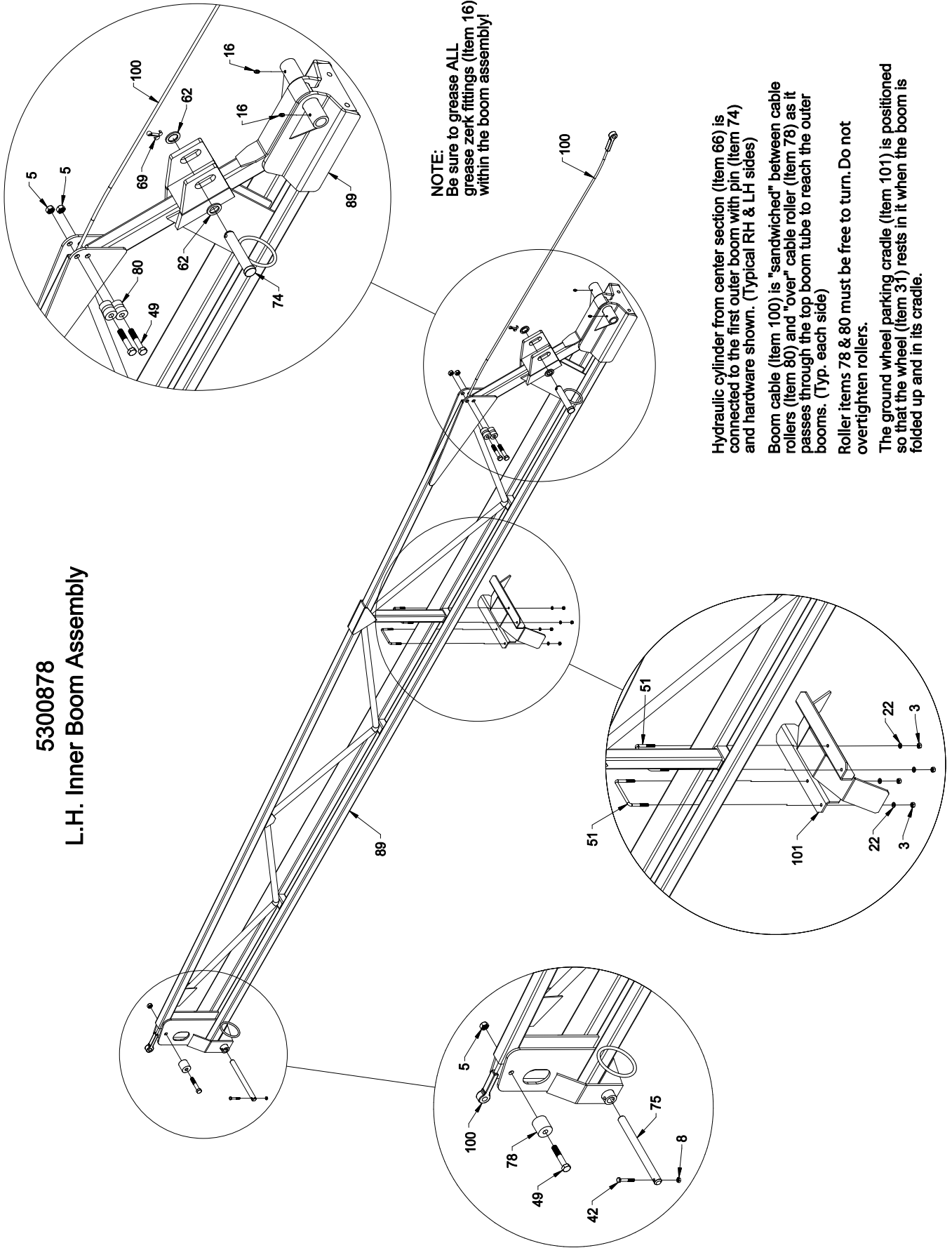
**NOTE:**  
Be sure to grease ALL  
grease zerik fittings (item 16)  
within the boom assembly!

Hydraulic cylinder from center section (Item 66) is connected to the first outer boom with pin (Item 74) and hardware shown. (Typical RH & LH sides)  
Boom cable (Item 100) is "sandwiched" between cable rollers (Item 80) and "over" cable roller (Item 78) as it passes through the top boom tube to reach the outer booms. (Typ. each side)  
Roller items 78 & 80 must be free to turn. Do not overtighten rollers.  
The ground wheel parking cradle (Item 101) is positioned so that the wheel (Item 31) rests in it when the boom is folded up and in its cradle.

# 60' X-Boom Parts Diagram

5300878

## L.H. Inner Boom Assembly



**NOTE:**  
Be sure to grease ALL grease zerks fittings (item 16) within the boom assembly!

Hydraulic cylinder from center section (item 66) is connected to the first outer boom with pin (item 74) and hardware shown. (Typical RH & LH sides)

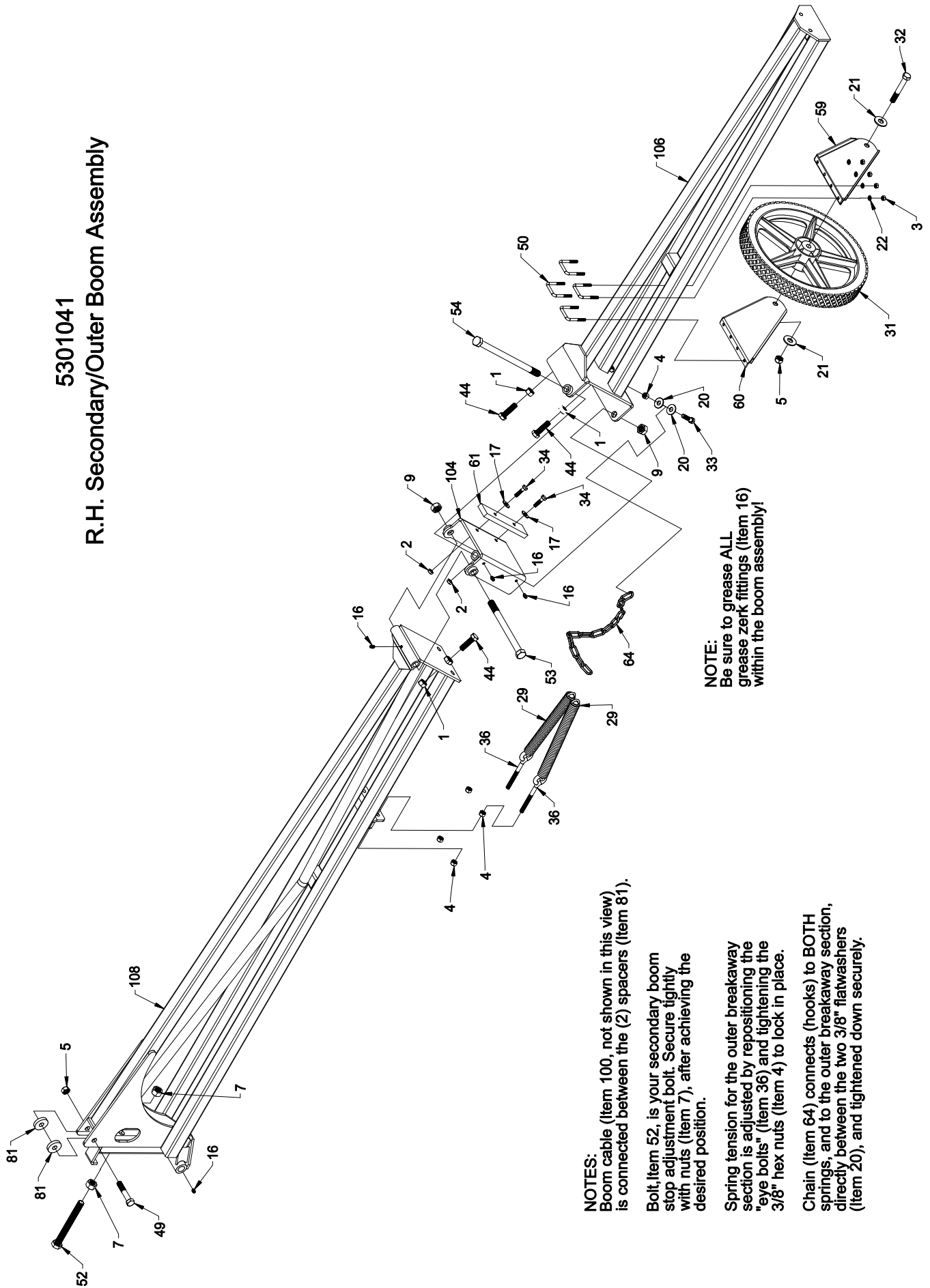
Boom cable (item 80) and "over" cable roller (item 78) as it passes through the top boom tube to reach the outer booms. (Typ. each side)

Roller items 78 & 80 must be free to turn. Do not overtighten rollers.

The ground wheel parking cradle (item 101) is positioned so that the wheel (item 31) rests in it when the boom is folded up and in its cradle.

# 60' X-Boom Parts Diagram

5301041  
R.H. Secondary/Outer Boom Assembly



**NOTE:**  
Be sure to grease ALL grease zerk fittings (Item 16) within the boom assembly!

**NOTES:**  
Boom cable (Item 100, not shown in this view) is connected between the (2) spacers (Item 81).

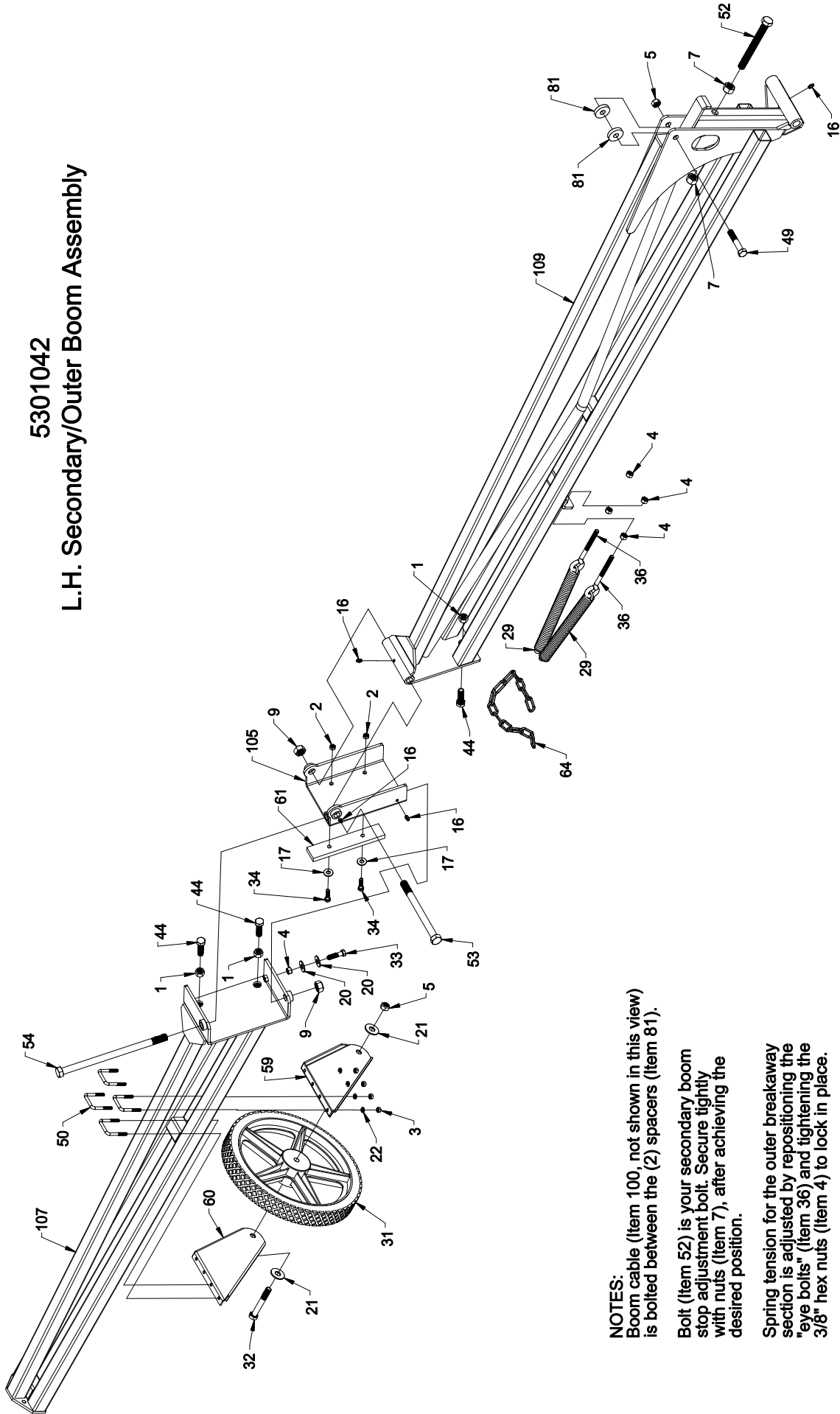
Bolt, Item 52, is your secondary boom stop adjustment bolt. Secure tightly with nuts (Item 7), after achieving the desired position.

Spring tension for the outer breakaway section is adjusted by repositioning the "eye bolts" (Item 36) and tightening the 3/8" hex nuts (Item 4) to lock in place.

Chain (Item 64) connects (hooks) to BOTH springs, and to the outer breakaway section, directly between the two 3/8" flatwashers (Item 20), and tightened down securely.

# 60' X-Boom Parts Diagram

5301042  
L.H. Secondary/Outer Boom Assembly



**NOTES:**  
Boom cable (Item 100, not shown in this view) is bolted between the (2) spacers (Item 81).

Bolt (Item 52) is your secondary boom stop adjustment bolt. Secure tightly with nuts (Item 7), after achieving the desired position.

Spring tension for the outer breakaway section is adjusted by repositioning the "eye bolts" (Item 36) and tightening the 3/8" hex nuts (Item 4) to lock in place.

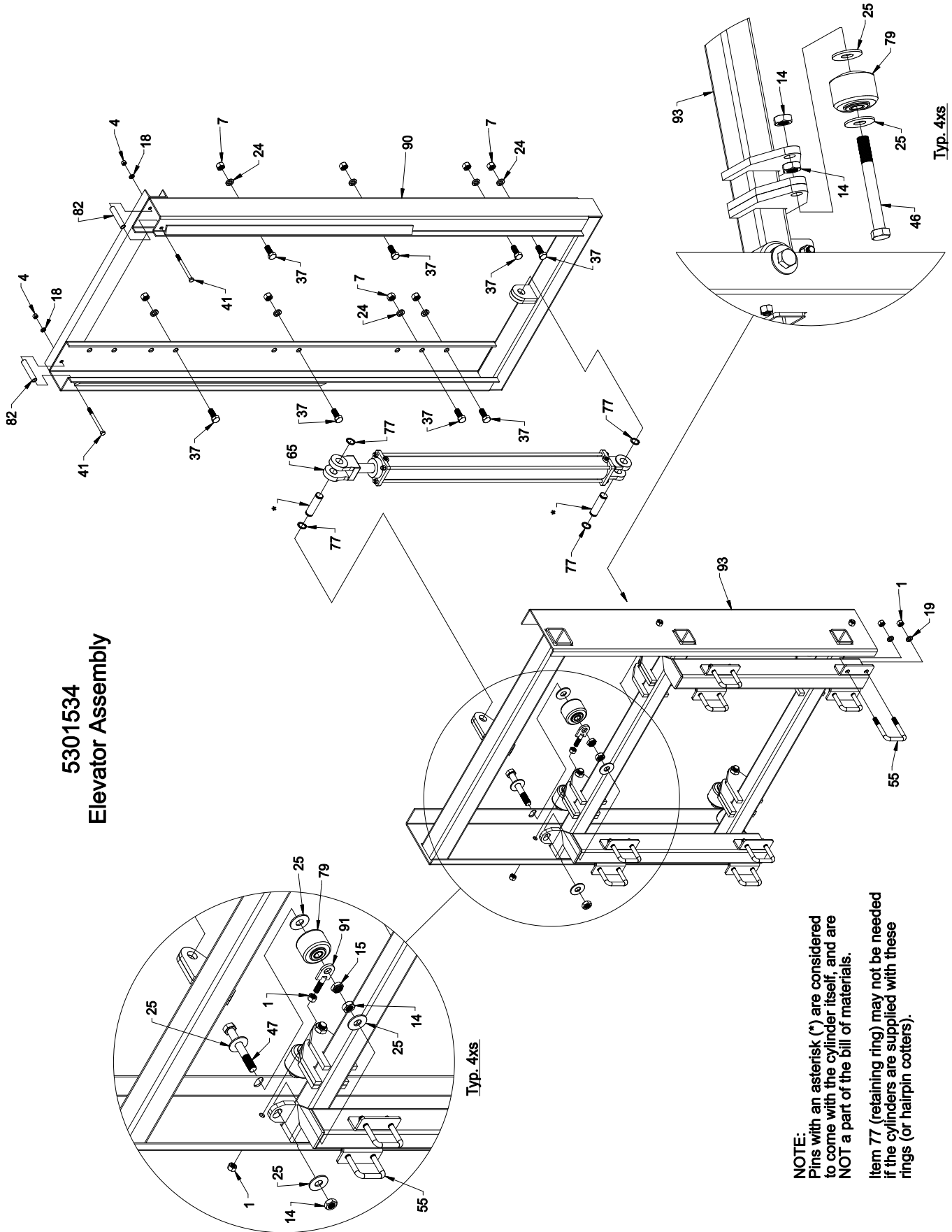
Chain (Item 64) connects (hooks) to BOTH springs, and to the outer breakaway section, directly between the two 3/8" flatwashers (Item 20), and tightened down securely.

**NOTE:**  
Be sure to grease ALL grease zerk fittings (Item 16) within the boom assembly!



# 60' X-Boom Parts Diagram

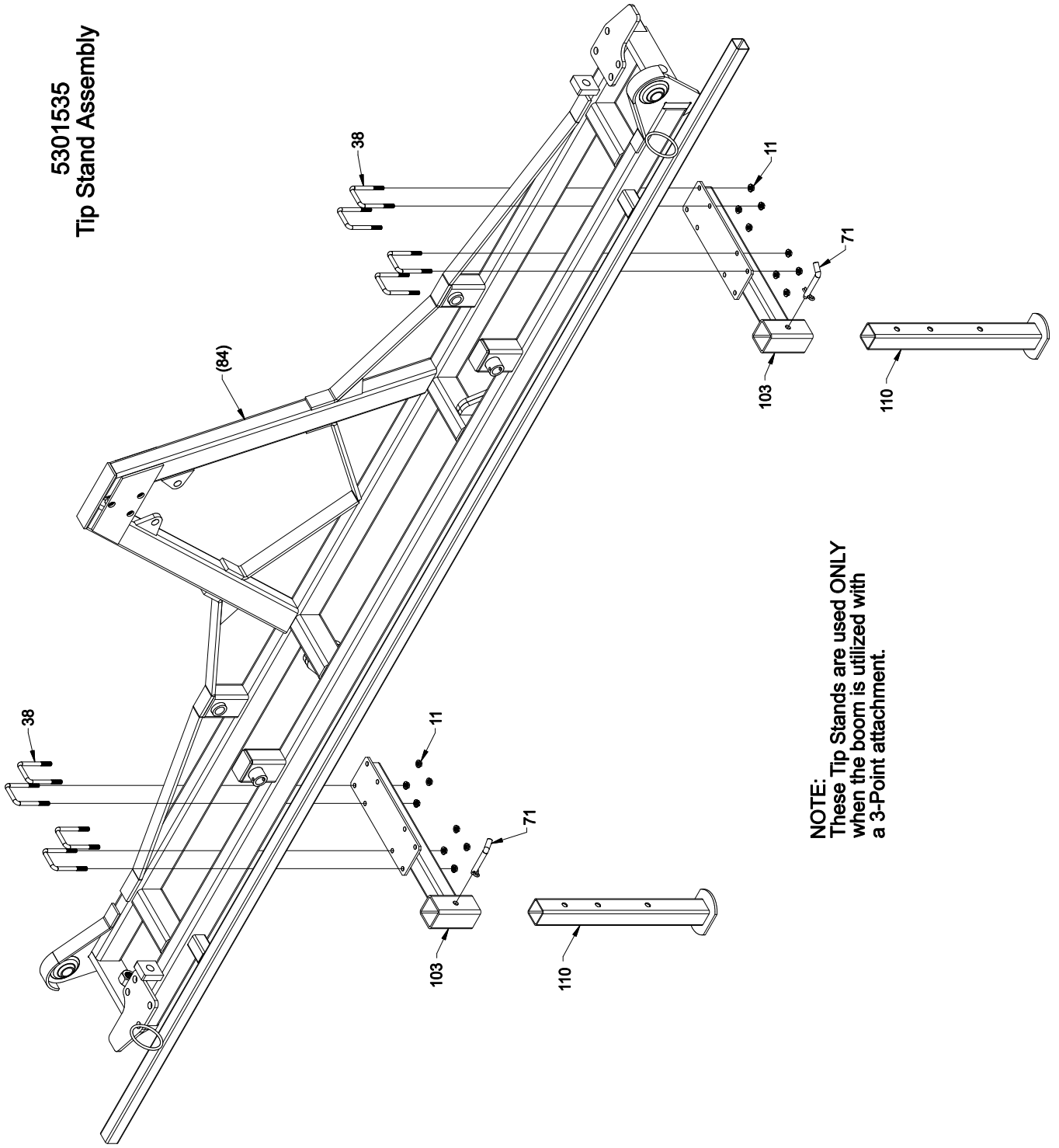
## 5301534 Elevator Assembly



**NOTE:**  
Pins with an asterisk (\*) are considered to come with the cylinder itself, and are NOT a part of the bill of materials.

Item 77 (retaining ring) may not be needed if the cylinders are supplied with these rings (or hairpin cotters).

# 60' X-Boom Parts Diagram



5301535  
Tip Stand Assembly

**NOTE:**  
These Tip Stands are used **ONLY**  
when the boom is utilized with  
a 3-Point attachment.

## 60' X-Boom Repair Parts List

Item #	Part #	5300875	5300876	5300877	5300878	5301041	5301042	5301534	5301535	Description
1	5006337	4	6	-	-	3	3	24	-	1/2"-13 Hex Nut
2	5006367	-	-	-	-	2	2	-	-	5/16"-18 Hex Locknut
3	5006306	-	-	4	4	8	8	-	-	1/4"-20 Hex Nut
4	5006259	-	10	-	-	5	5	2	-	3/8"-16 Hex Nut
5	5006365	-	8	3	3	2	2	-	-	1/2"-13 Hex Locknut
6	5006093	-	6	-	-	-	-	-	-	3/4"-10 Hex Nut
7	5006364	8	8	-	-	2	2	8	-	5/8"-11 Hex Nut.
8	5006344	-	4	1	1	-	-	-	-	1/4"-20 Hex Locknut
9	5006096	-	-	-	-	2	2	-	-	5/8"-11 Hex Locknut
10	5006359	-	2	3	-	-	-	-	-	3/4"-10 Hex Locknut
11	5006259	-	-	-	-	-	-	-	16	3/8"-16 Hex Whiz (Flange) Locknut
12	5006260	-	2	-	-	-	-	-	-	3/4"-10 Hex Jam Nut
13	5006308	-	2	-	-	-	-	-	-	1"-8 Hex Nut
14	5006316	-	-	-	-	-	-	16	-	3/4"-16 N.F. Hex Jamnut
15	5006317	-	1	-	-	-	-	4	-	3/4"-16 N.F. Hex Lock Jamnut
16	5012015	-	4	2	2	4	4	-	-	Grease Zerk, 1/4"-28 Thread
17	5016020	-	-	-	-	2	2	-	-	Flatwasher, 5/16"
18	5016027	-	10	-	-	-	-	2	-	Lockwasher, 3/8"
19	5016028	4	9	-	-	-	-	16	-	Lockwasher, 1/2"
20	5016030	-	4	-	-	2	2	-	-	Flatwasher, 3/8"
21	5016031	-	-	-	-	2	2	-	-	Flatwasher, 1/2"
22	5016035	-	-	4	4	8	8	-	-	Lockwasher, 1/4"
23	5016053	-	8	-	-	-	-	-	-	Flatwasher, 5/8"
24	5016124	8	8	-	-	-	-	8	-	Lockwasher, 5/8"
25	5016160	-	1	-	-	-	-	24	-	Flatwasher, 3/4"
26	5017590	-	1	-	-	-	-	-	-	Shock Plate
27	5017593	-	2	-	-	-	-	-	-	Mounting Plate
28	5017650	-	4	-	-	-	-	-	-	Cable Adjustment Plate
29	5019097	-	-	-	-	2	2	-	-	Hinge Spring
30	5019233	-	2	-	-	-	-	-	-	Spring
31	5021063	-	-	-	-	1	1	-	-	Wheel, 14" x 1.75", 5-Spoke
32	5034700	-	2	-	-	1	1	-	-	H.H.C.S., 1/2"-13 x 3 1/2"
33	5034663	-	-	-	-	1	1	-	-	H.H.C.S., 3/8"-16 x 1 1/2"
34	5034637	-	-	-	-	2	2	-	-	H.H.C.S., 5/16"-18 x 1 1/4"
35	5034692	4	5	-	-	-	-	-	-	H.H.C.S., 1/2"-13 x 1 1/2"
36	5034107	-	-	-	-	2	2	-	-	Eye Bolt
37	5034117	-	-	-	-	-	-	8	-	H.H.C.S., 5/8"-11 x 1 1/2"
38	5034124	-	-	-	-	-	-	-	8	Square U-Bolt, 3/8" Dia. x 2 1/8" x 3 3/4"
39	5034720	-	8	-	-	-	-	-	-	H.H.C.S., 5/8"-11 x 2"
40	5034698	-	6	-	-	-	-	-	-	H.H.C.S., 1/2"-13 x 3"
41	5034675	-	10	-	-	-	-	2	-	H.H.C.S., 3/8"-16 x 4 1/2"
42	5034614	-	4	1	1	-	-	-	-	H.H.C.S., 1/4"-20 x 1 3/4"
43	5034222	8	-	-	-	3	3	-	-	H.H.C.S., 5/8"-11 x 6 1/2"
44	5034693	-	4	-	-	-	-	-	-	H.H.C.S., 1/2"-13 x 1 3/4"
45	5034465	-	2	-	-	-	-	-	-	H.H.C.S., 1"-8 x 4" (Full Thread)
46	5034466	-	1	-	-	-	-	4	-	H.H.C.S., 3/4"-16 x 6 1/2"
47	5034468	-	-	-	-	-	-	4	-	H.H.C.S., 3/4"-16 x 5 1/2"
48	5034470	-	2	-	-	-	-	-	-	H.H.C.S., 3/4"-10 x 9"
49	5034697	-	-	3	3	1	1	-	-	H.H.C.S., 1/2"-13 x 2 3/4"
50	5034473	-	-	-	-	4	4	-	-	Square U-Bolt, 1/4" Dia. x 1 9/16" x 2 1/8"
51	5034474	-	-	2	2	-	-	-	-	Square U-Bolt, 1/4" Dia. x 3 1/16" x 2 1/8"
52	5034478	-	-	-	-	1	1	-	-	H.H.C.S., 5/8"-11 x 6" (Full Thread)
53	5034490	-	-	-	-	1	1	-	-	H.H.C.S., 5/8"-11 x 7 1/2"
54	5034491	-	-	-	-	1	1	-	-	H.H.C.S., 5/8"-11 x 11"
55	5034492	-	8	-	-	-	-	8	-	Square U-Bolt, 1/2" Dia. x 2 9/16" x 3 5/8"

5300875 = Elevator Mounting Frame  
 5300876 = Center Section  
 5300877 = RH Inner Boom Assembly  
 5300878 = LH Inner Boom Assembly

5301041 = RH Second/Outer Boom Assemblies  
 5301042 = LH Second/Outer Boom Assemblies  
 5301534 = Elevator Assembly  
 5301535 = Tip Stand Assembly (for 3-PT. Attachment)

## 60' X-Boom Repair Parts List

Item #	Part #	5300875	5300876	5300877	5300878	5301041	5301042	5301534	5301535	Description
56	5037466		8	-	-	-	-	8	-	Upright Tower Brace (R.H.)
57	5067467	1	-	-	-	-	-	-	-	Upright Tower Brace (L.H.)
58	5038536	1	-	-	-	-	-	-	-	Vertical Tower Clamp Plate
59	5038615	4	-	-	-	1	1	-	-	Boom Wheel Bracket (R.H.) (for 14" Wheel)
60	5038616	-	-	-	-	1	1	-	-	Boom Wheel Bracket (L.H.) (for 14" Wheel)
61	5040013	-	-	-	-	1	1	-	-	Bumper
62	5041113	-	-	2	2	-	-	-	-	Machinery Bushing, 1 1/2" O.D. x 1" I.D. x 10 Ga.
63	5041118	-	4	-	-	-	-	-	-	Machinery Bushing, 1 3/4" O.D. x 1 1/8" I.D. x 10 Ga.
64	5049043	-	-	-	-	1	1	-	-	Chain (13 Links)
65	5061024	-	-	-	-	-	-	1	-	Cylinder, 3" x 36", 1.25 Rod
66	5061025	-	2	-	-	-	-	-	-	Cylinder, 3" x 24", 1.25 Rod
67	5095105	-	4	-	-	-	-	-	-	Spring Tab
68	5098030	-	2	-	-	-	-	-	-	Rubber Insert
69	5101198	-	-	1	1	-	-	-	-	Cotter Pin, 1/4" x 2"
70	5101199	-	2	-	-	-	-	-	-	Swivel Hanger Pivot Bottom Pin
71	5101202	-	-	-	-	-	-	-	2	Bent Clevis Pin (1/2" Dia.)
72	5101224	-	2	-	-	-	-	-	-	Inner Boom Attaching Pin
73	5101225	-	2	-	-	-	-	-	-	Swivel Hanger Pivot Top Pin
74	5101228	-	-	1	1	-	-	-	-	Upper Cylinder Pin
75	5101229	-	-	1	1	-	-	-	-	Inner Boom Break-Away Hinge Pin
76	5101230	-	4	-	-	-	-	-	-	Cotter Pin, 3/16" x 2"
77	5110316	-	4	-	-	-	-	4	-	External Snap Ring
78	5112031	-	-	1	1	-	-	-	-	Cable Roller
79	5112032	-	1	-	-	-	-	8	-	3 1/4" x 2" Albion Phenolic Textite Wheel
80	5112033	-	-	2	2	-	-	-	-	Cable Roller Guide
81	5127151	-	-	-	-	2	2	-	-	Spacer
82	5127152	-	-	-	-	-	-	2	-	Spacer
83	5273758	-	-	1	-	-	-	-	-	60' X-Boom Inner Boom Weldment (R.H.)
84	5273762	-	1	-	-	-	-	-	-	Center Section (60' X-Boom)
85	5273764	-	1	-	-	-	-	-	-	Spring Bracket Weldment (L.H.)
86	5273765	-	2	-	-	-	-	-	-	Spring Back Plate Weldment
87	5273766	-	2	-	-	-	-	-	-	Spring Pull Rod Weldment
88	5273767	-	1	-	-	-	-	-	-	Shock Plate Weldment
89	5273770	-	-	-	1	-	-	-	-	60' X-Boom Inner Boom Weldment (L.H.)
90	5273771	-	-	-	-	-	-	1	-	Inner Channel Weldment
91	5273773	-	-	-	-	-	-	4	-	Roller Adjust Bracket
92	5273775	-	1	-	-	-	-	-	-	Elevator Rear Frame Weldment
93	5273776	-	-	-	-	-	-	1	-	Elevator Front Frame Weldment
94	5273779	-	2	-	-	-	-	-	-	Hinge Locator Weldment
95	5273841	-	1	-	-	-	-	-	-	Boom Cradle Weldment
96	5273842	-	2	-	-	-	-	-	-	A-Frame Support Weldment
97	5273863	-	1	-	-	-	-	-	-	Spring Bracket Weldment (R.H.)
98	5273891	-	2	-	-	-	-	-	-	Heavy Load Shock Absorber Assembly
99	5273952	-	1	-	-	-	-	-	-	Roller Mount Weldment
100	5273962	-	-	1	1	-	-	-	-	Boom Cable Assembly
101	5273963	-	-	1	1	-	-	-	-	Ground Wheel Parking Cradle Weldment
102	5274019	1	-	-	-	-	-	-	-	Upright Tower Mounting Weldment
103	5274054	-	-	-	-	-	-	-	2	Tip Stand Receiver Tube Weldment
104	5274066	-	-	-	-	1	-	-	-	Outer Boom Hinge Plate Weldment (R.H.)
105	5274067	-	-	-	-	-	1	-	-	Outer Boom Hinge Plate Weldment (L.H.)
106	5274068	-	-	-	-	1	-	-	-	Outer Boom End Weldment (R.H.)
107	5274069	-	-	-	-	-	1	-	-	Outer Boom End Weldment (L.H.)
108	5274070	-	-	-	-	1	-	-	-	Secondary Boom Weldment (R.H.)
109	5274071	-	-	-	-	-	1	-	-	Secondary Boom Weldment (L.H.)
110	5274187	-	-	-	-	-	-	-	2	Tip Stand Weldment (3 PT) (60' X-Boom)

5300875 = Elevator Mounting Frame  
 5300876 = Center Section  
 5300877 = RH Inner Boom Assembly  
 5300878 = LH Inner Boom Assembly

5301041 = RH Second/Outer Boom Assemblies  
 5301042 = LH Second/Outer Boom Assemblies  
 5301534 = Elevator Assembly  
 5301535 = Tip Stand Assembly (for 3-PT. Attachment)

# Warranty Info

## LIMITED WARRANTY FOR NEW AG SPRAY EQUIPMENT

**WHO MAY USE THIS LIMITED WARRANTY.** This limited warranty (the "Limited Warranty") is provided by Fimco, Inc. ("Ag Spray Equipment") to the original purchaser ("you") of the Equipment (as defined below) from Ag Spray Equipment or one of Ag Spray Equipment's authorized dealers. This Limited Warranty does not apply to any subsequent owner or other transferee of the Equipment. THIS LIMITED WARRANTY GIVES YOU SPECIFIC LEGAL RIGHTS, AND YOU MAY ALSO HAVE OTHER RIGHTS WHICH VARY FROM STATE TO STATE.

**WHAT THIS LIMITED WARRANTY COVERS AND FOR HOW LONG.** Ag Spray Equipment warrants that any registered new Equipment will be free from defects in material and workmanship for a period of **one (1) year** after delivery of the Equipment to you (the "Warranty Period"). The Warranty Period is not extended if Ag Spray Equipment repairs or replaces the Equipment.

**WHAT IS NOT COVERED BY THIS LIMITED WARRANTY.** This Limited Warranty does not apply to: (1) used Equipment; (2) any Equipment that has been altered, changed, repaired or treated since its delivery to you, other than by Ag Spray Equipment or its authorized dealers; (3) damage or depreciation due to normal wear and tear; (4) defects or damage due to failure to follow Ag Spray Equipment's operator's manual, specifications or other written instructions, or improper storage, operation, maintenance, application or installation of parts; (5) defects or damage due to misuse, accident or neglect, "acts of God" or other events beyond Ag Spray Equipment's reasonable control; (6) accessories, attachments, tools or parts that were not manufactured by Ag Spray Equipment, whether or not sold or operated with the Equipment; or (7) rubber parts, such as tires, hoses and grommets.

**HOW TO OBTAIN WARRANTY SERVICE.** To obtain warranty service under this Limited Warranty, you must (1) provide written notice to Ag Spray Equipment of the defect during the Warranty Period and within **thirty (30) days** after the defect becomes apparent or the repair becomes necessary, at the following address: Ag Spray Equipment, 1000 Fimco Lane, North Sioux City, SD 57049; and (2) make the Equipment available to Ag Spray Equipment or an authorized dealer within a reasonable period of time. For more information about this Limited Warranty, please call: **800-274-1025**

**WHAT REMEDIES ARE AVAILABLE UNDER THIS LIMITED WARRANTY.** If the conditions set forth above are fulfilled and the Equipment or any part thereof is found to be defective, Ag Spray Equipment shall, at its own cost, and at its option, either repair or replace the defective Equipment or part. Ag Spray Equipment will pay for shipping and handling fees to return the repaired or replacement Equipment or part to you.

**LIMITATION OF IMPLIED WARRANTIES AND OTHER REMEDIES.** THE REMEDIES DESCRIBED ABOVE ARE YOUR SOLE AND EXCLUSIVE REMEDIES, AND AG SPRAY EQUIPMENT'S SOLE LIABILITY, FOR ANY BREACH OF THIS LIMITED WARRANTY. TO THE EXTENT APPLICABLE, ANY IMPLIED WARRANTIES, INCLUDING, WITHOUT LIMITATION, THE IMPLIED WARRANTIES OF MERCHANTABILITY AND FITNESS FOR A PARTICULAR PURPOSE, SHALL BE LIMITED IN DURATION TO THE WARRANTY PERIOD, AND THE REMEDIES AVAILABLE FOR BREACH THEREOF SHALL BE LIMITED TO THE REMEDIES AVAILABLE UNDER THIS EXPRESS LIMITED WARRANTY. SOME STATES DO NOT ALLOW LIMITATIONS ON HOW LONG AN IMPLIED WARRANTY LASTS, SO THE ABOVE LIMITATION MAY NOT APPLY TO YOU. IN NO EVENT SHALL AG SPRAY EQUIPMENT'S LIABILITY UNDER THIS LIMITED WARRANTY EXCEED THE ACTUAL AMOUNT PAID BY YOU FOR THE DEFECTIVE EQUIPMENT, NOR SHALL AG SPRAY EQUIPMENT BE LIABLE, UNDER ANY CIRCUMSTANCES, FOR ANY CONSEQUENTIAL, INCIDENTAL, SPECIAL OR PUNITIVE DAMAGES OR LOSSES, WHETHER DIRECT OR INDIRECT. SOME STATES DO NOT ALLOW THE EXCLUSION OR LIMITATION OF INCIDENTAL OR CONSEQUENTIAL DAMAGES, SO THE ABOVE LIMITATION OR EXCLUSION MAY NOT APPLY TO YOU.



**BAKERSFIELD, CA**  
4618 SACO RD, 93308  
**661.391.9081**  
Toll Free: 877.724.2236  
F: 661.391.9085  
[BAKERSFIELD@AGSPRAY.COM](mailto:BAKERSFIELD@AGSPRAY.COM)

**COLUMBUS, NE**  
5834 23rd ST, 68601  
**402.564.4544**  
Toll Free: 800.274.1025  
F: 402.564.0549  
[COLUMBUS@AGSPRAY.COM](mailto:COLUMBUS@AGSPRAY.COM)

**DOTHAN, AL**  
2401 FORRESTER RD, 36301  
**334.673.0580**  
Toll Free: 800.227.4098  
F: 334.673.1974  
[DOTHAN@AGSPRAY.COM](mailto:DOTHAN@AGSPRAY.COM)

**FARGO, ND**  
4350 48th AVE N, 58102  
**701.280.2862**  
Toll Free: 800.373.4084  
F: 701.293.0961  
[FARGO@AGSPRAY.COM](mailto:FARGO@AGSPRAY.COM)

**HOPKINSVILLE, KY**  
3303 PEMBROKE RD, 42240  
**270.886.0296**  
Toll Free: 800.637.7172  
F: 270.885.7392  
[HOPKINSVILLE@AGSPRAY.COM](mailto:HOPKINSVILLE@AGSPRAY.COM)

**MANKATO, MN**  
907 SOUTHBEND AVE, 56001  
**507.377.6295**  
Toll Free: 800.722.9376  
F: 507.388.4668  
[MANKATO@AGSPRAY.COM](mailto:MANKATO@AGSPRAY.COM)

**NEWTON, KS**  
7000 SCHABEN CT, 67114  
**316.283.4444**  
Toll Free: 800.394.7662  
F: 316.293.4646  
[NEWTON@AGSPRAY.COM](mailto:NEWTON@AGSPRAY.COM)

**PASCO, WA**  
3035 TRAVEL PLAZA WAY, 99301  
**509.488.6631**  
Toll Free: 800.634.2026  
F: 509.488.2927  
[OTHELLO@AGSPRAY.COM](mailto:OTHELLO@AGSPRAY.COM)

**TEMPE, AZ**  
8464 KYRENE RD, 85284  
**480.705.8047**  
Toll Free: 877.705-8047  
F: 480.705.8048  
[TEMPE@AGSPRAY.COM](mailto:TEMPE@AGSPRAY.COM)